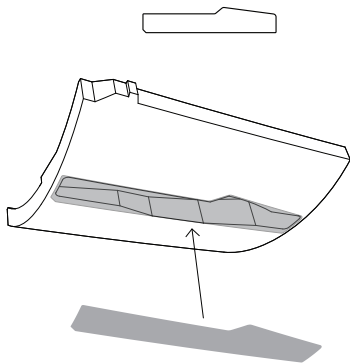


## Arrestor Hook:

Do not install the kit's arrestor hook part (B75).

The hook well (in part B86) was faired over by thin sheet metal.

Replicate this with any very thin sheet material (styrene, acetate, metal, vinyl...) using this shape template (real size):



Alternatively, install the 3D printed hook well panel instead of kit part B86 (as per instructions step 12).

The part is included in newer issues of the set and can be downloaded as STL file for home printing via the NF-104A product page on [hypersonicmodels.com](http://hypersonicmodels.com).